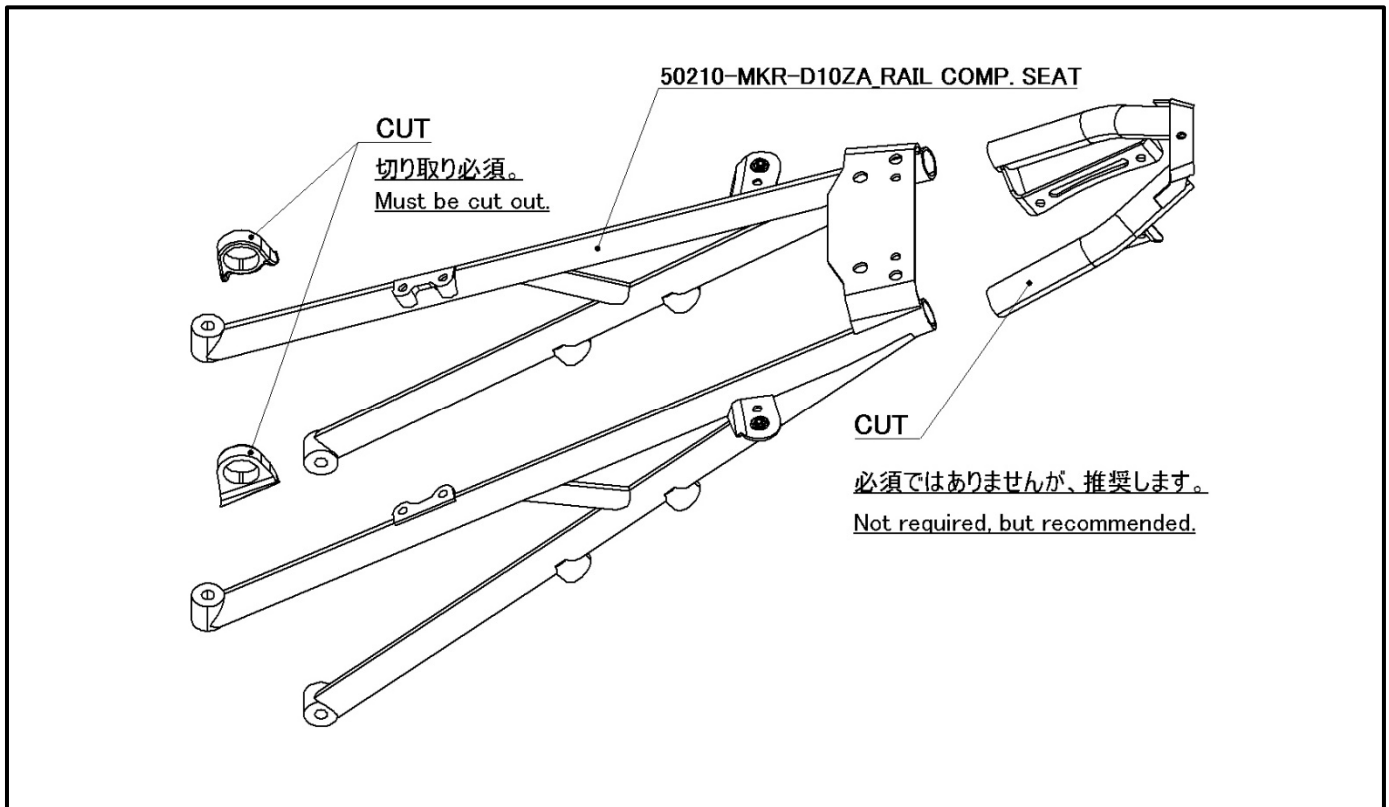


[PARTS LIST] 01750-101T2-S0 : FUEL TANK 24L SET
01750-101T2-00 : FUEL TANK 24L Assy

No.	Parts No.	Parts Name	Qty	Set	Assy	Price (Tax included)
1	17501-101T2-00	TANK COMP, FUEL	1	○	○	-
2	17540-101T2-00	PLATE, FUEL TANK RR(50)	(1)	○	○	¥9,350
	17541-101T2-00	PLATE, FUEL TANK RR(100)	(1)	○	○	¥9,350
	17542-101T2-00	PLATE, FUEL TANK RR(150)	(1)	○	○	¥9,350
	17543-101T2-00	PLATE, FUEL TANK RR(200)	(1)	○	○	¥9,570
	17544-101T2-00	PLATE, FUEL TANK RR(250)	(1)	○	○	¥9,570
	17545-101T2-00	PLATE, FUEL TANK RR(300)	(1)	○	○	¥11,220
	17546-101T2-00	PLATE, FUEL TANK RR(350)	(1)	○	○	¥11,220
	17547-101T2-00	PLATE, FUEL TANK RR(400)	(1)	○	○	¥13,090
	17548-101T2-00	PLATE, FUEL TANK RR(450)	(1)	○	○	¥13,090
	17549-101T2-00	PLATE, FUEL TANK RR(500)	(1)	○	○	¥14,025
	17550-101T2-00	PLATE, FUEL TANK RR(550)	(1)	○	○	¥16,082
	17551-101T2-00	PLATE, FUEL TANK RR(600)	(1)	○	○	¥17,017
	17552-101T2-00	PLATE, FUEL TANK RR(0)	(1)	○	○	¥1,276
	3	17564-101T2-00	WASHER, FUEL TANK RR	1	○	○
4	17565-101T2-00	COVER, FUEL TANK RR	1	○	○	¥1,210
5	FKM-70 (4D) S-80	O-RING	1	○	○	¥330
6	970000-04012	CAP BOLT M4x12 (SUS)	10	○	○	¥13
7	19051-KA3-830	RUBBER, RADIATOR MOUNTING	2	○	○	¥215
8	19052-MAC-680	COLLAR, RADIATOR MOUNTING	2	○	○	¥242
9	90109-101T2-00	BOLT, FUEL DRAIN	1	○	○	¥2,750
10	90545-MJ1-770	WASHER, OIL BOLT	1	○	○	¥171
11	90105-MM4-000	SCREW, PAN, 6x10	6	○	○	¥132
12	50250-101T2-20	BRKT, FUEL TANK	1	○	×	¥4,950
13	982010-06000	NUT, FLANGE M6	2	○	×	¥10
14	973010-06030	BOLT FLANGE M6X30 (7T)	2	○	×	¥63
15	TBN-STU-M6	NUT SQUARE M6	2	○	×	¥56
16	50255-101T2-10	STAY, FUSE BOX	1	○	×	¥4,180
17	05051-101T2-00	TRAY ASSY, BATTERY	1	○	×	¥24,200
18	50510-101T2-00-100	TRAY COMP, BATTERY	(1)	○	×	Assy Only
19	50510-101T2-00-110	HOOK, FW	(1)	○	×	Assy Only
20	50510-101T2-00-120	HOOK, BK	(1)	○	×	Assy Only
21	50510-101T2-00-130	STAY, SWITCH	(1)	○	×	Assy Only
22	970000-04010	CAP BOLT M4x10 (SUS)	(4)	○	×	¥13
23	975000-04010	B, CAP BOLT M4x10 (SUS)	(2)	○	×	¥13
24	980010-04000	NUT, FLANGE LOCK M4	(6)	○	×	¥178
25	83150-101T2-00	SHELTER, FR	1	○	×	¥41,800
26	50260-101T2-00	COVER, L SIDE	1	○	×	¥9,350
27	50261-101T2-00	STAY, L SIDE	1	○	×	¥3,850
28	50262-101T2-00	WASHER, L SIDE	2	○	×	¥828
29	975000-08020	B, CAP BOLT M8x20 (SUS)	1	○	×	¥66
30	90133-MKN-D50	SCREW, PAN 5x16	2	○	×	¥171
31	90111-KW3-003	NUT, COWL SETTING 5M	2	○	×	¥182
32	17570-101T2-00	COVER, PROTECT LW	1	○	×	¥9,350

【シートレール加工】**【Modify the subframe】****【メンテナンスについて】**

振動によって、ボルト、ナット類が緩むことがありますので、必要に応じて増し締めをして下さい。
特に転倒時には緩みがないか、点検をして下さい。
本説明書は末永く保管し、メンテナンス等の機会には、活用するようにして下さい。
製品上の問題点、取付け時の不明点等がありましたら、お気軽にお問い合わせ下さい。

【Maintenance】

Vibration may loosen bolts and nuts, so retighten them as necessary.
Check for looseness, especially after the crash.
Keep this manual for a long time and utilize it for maintenance.
Please feel free to contact us if you have any problems with the product or if you have any questions about installation.

(株) モリワキエンジニアリング (営業部)
〒513-0825 三重県鈴鹿市住吉町6656-5

Moriwaki Engineering Co., Ltd.

6656-5 Sumiyoshi, Suzuka, Mie, Japan, ZIP:513-0825

TEL : +81(0)59-370-0090

FAX : +81(0)59-370-0152

e-Mail : info@moriwaki.co.jp

WEB : <http://www.moriwaki.co.jp>

