

Parts List : 01750-101Y8-S0

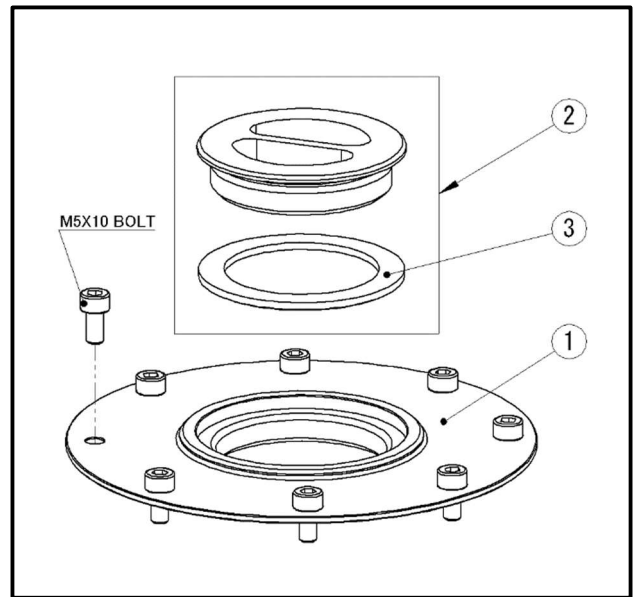
Fuel Tank 24L Set

No.	Parts No.	Parts Name	Qty
	01750-101Y8-00	Fuel Tank 24L Assy	1
1	17501-101T2-00	TANK COMP, FUEL	1
2	17540-101T2-00	PLATE, FUEL TANK RR(50)	(1)
	17541-101T2-00	PLATE, FUEL TANK RR(100)	(1)
	17542-101T2-00	PLATE, FUEL TANK RR(150)	(1)
	17543-101T2-00	PLATE, FUEL TANK RR(200)	(1)
	17544-101T2-00	PLATE, FUEL TANK RR(250)	(1)
	17545-101T2-00	PLATE, FUEL TANK RR(300)	(1)
	17546-101T2-00	PLATE, FUEL TANK RR(350)	(1)
	17547-101T2-00	PLATE, FUEL TANK RR(400)	(1)
	17548-101T2-00	PLATE, FUEL TANK RR(450)	(1)
	17552-101T2-00	PLATE, FUEL TANK RR(0)	(1)
3	17564-101T2-00	WASHER, FUEL TANK RR	1
4	17565-101T2-00	COVER, FUEL TANK RR	1
5	FKM-70 (4D) S-80	O-RING	1
6	970000-04012	CAP BOLT M4x12 (SUS)	10
7	19051-KA3-830	RUBBER, RADIATOR MOUNTING	2
8	19052-MAC-680	COLLAR, RADIATOR MOUNTING	2
9	90109-101T2-00	BOLT, FUEL DRAIN	1
10	90545-MJ1-770	WASHER, OIL BOLT	1
11	90105-MM4-000	SCREW, PAN, 6x10	6
	05025-101Y8-00	BRKT ASSY, FUEL TANK	1
12	50250-101Y8-10	BRKT COMP, FUEL TANK	1
13	982010-06000	FLANGE NUT M6 Fe	2
14	973010-06030	BOLT FLANGE M6X30 (7T)	2
15	TBN-STU-M6	NUT SQUARE M6	2
	05051-101Y8-00	TRAY ASSY, BATTERY	1
16	50510-101Y8-00	TRAY, BATTERY	1
17	50511-101Y8-00	STAY BK, BATTERY	1
18	50512-101Y8-00	STAY FW, BATTERY	1
19	50513-101Y8-00	STAY, SWITCH	1
20	50514-101Y8-00	STAY, FUSE BOX & RELAY	1
21	50515-101Y8-00	STAY, RELAY	1
22	50516-101Y8-00	STAY, FUSE BOX	(1)
23	50517-101Y8-00	ROD,SERVO MOTOR A	1
24	50518-101Y8-00	ROD,SERVO MOTOR B	1
25	972010-06015	FLANGE CAP BOLT M6x15	2
26	972010-06012	FLANGE CAP BOLT M6x12	2
27	982010-06000	FLANGE NUT M6 Fe	2
28	972010-06010	FLANGE CAP BOLT M6x10	6
29	975000-04010	BUTTON CAP BOLT M4x10 (SUS)	4
	05061-101Y8-00	BRKT ASSY, TBW UNIT	1
30	50610-101Y8-00	BRKT, TBW UNIT	1
31	50611-101Y8-00	HOOK, TBW UNIT	1
32	50612-101Y8-00	STAY L, TBW UNIT	1
33	50613-101Y8-00	STAY R, TBW UNIT	1
34	19051-KA3-830	RUBBER, RADIATOR MOUNTING	2
35	19052-MAC-680	COLLAR, RADIATOR MOUNTING	2
36	972010-08030	FLANGE CAP BOLT M8x30	2
37	972010-06025	FLANGE CAP BOLT M6x25 Fe	2
38	982010-06000	FLANGE NUT M6 Fe	2
39	972010-06010	FLANGE CAP BOLT M6x10	2
	05026-101Y8-00	COVER Assy, L SIDE	1
40	50260-101Y8-00	COVER, L SIDE	1
41	50261-101Y8-00	STAY, L SIDE	1
42	50262-101T2-00	WASHER, L SIDE	2
43	975000-08020	BUTTON CAP BOLT M8x20 (SUS)	1
44	90133-MKN-D50	SCREW, PAN 5x16	2
45	90111-KW3-003	NUT, COWL SETTING 5M	2
46	972010-06010	FLANGE CAP BOLT M6x10	1
47	83150-101T2-00	SHELTER, FR	1
	03240-101Y8-00	CABLE ASSY, EXTENSION GND	1
48	32405-101Y8-00	CABLE, EXTENSION GND	1
49	CB05008U	CAP BOLT M5x8 Fe	1
50	982010-05000	FLANGE NUT M5	1
51	CF-3355	HIGH SHRINK TUBE(6:1)	1

【Option Parts】

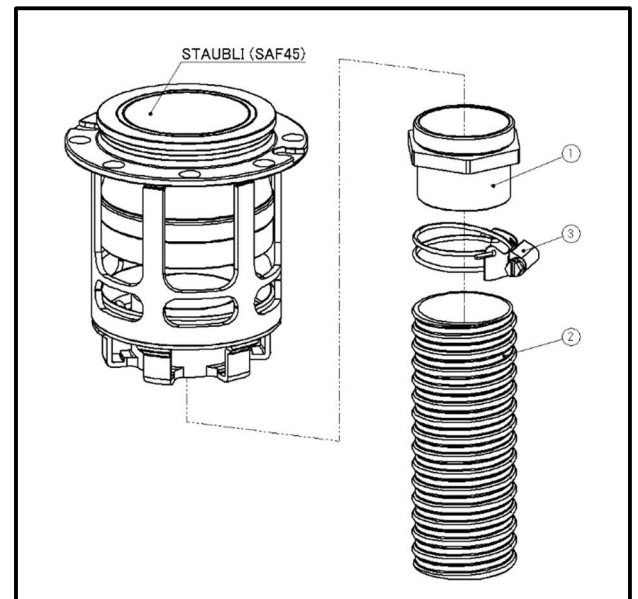
TANK CAP, SPRINT

No.	Parts No.	Parts Name	Qty
1	17560-101T2-00	BASE, FUEL TANK CAP	1
2	17561-101T2-00	CAP, FUEL TANK	1
3	17515-NX5-770	PKG, FUEL CAP	1



NOZZLE, Assy

No.	Parts No.	Parts Name	Qty
-	01753-101T2-10	NOZZLE, Assy	1
1	17530-101T2-10	FLANGE, NOZZLE	1
2	VS-A-050	HOSE, NOZZLE	1
3	HOSSB47	BAND, HOSE	1



【ハーネス加工】 【Modify the harness】

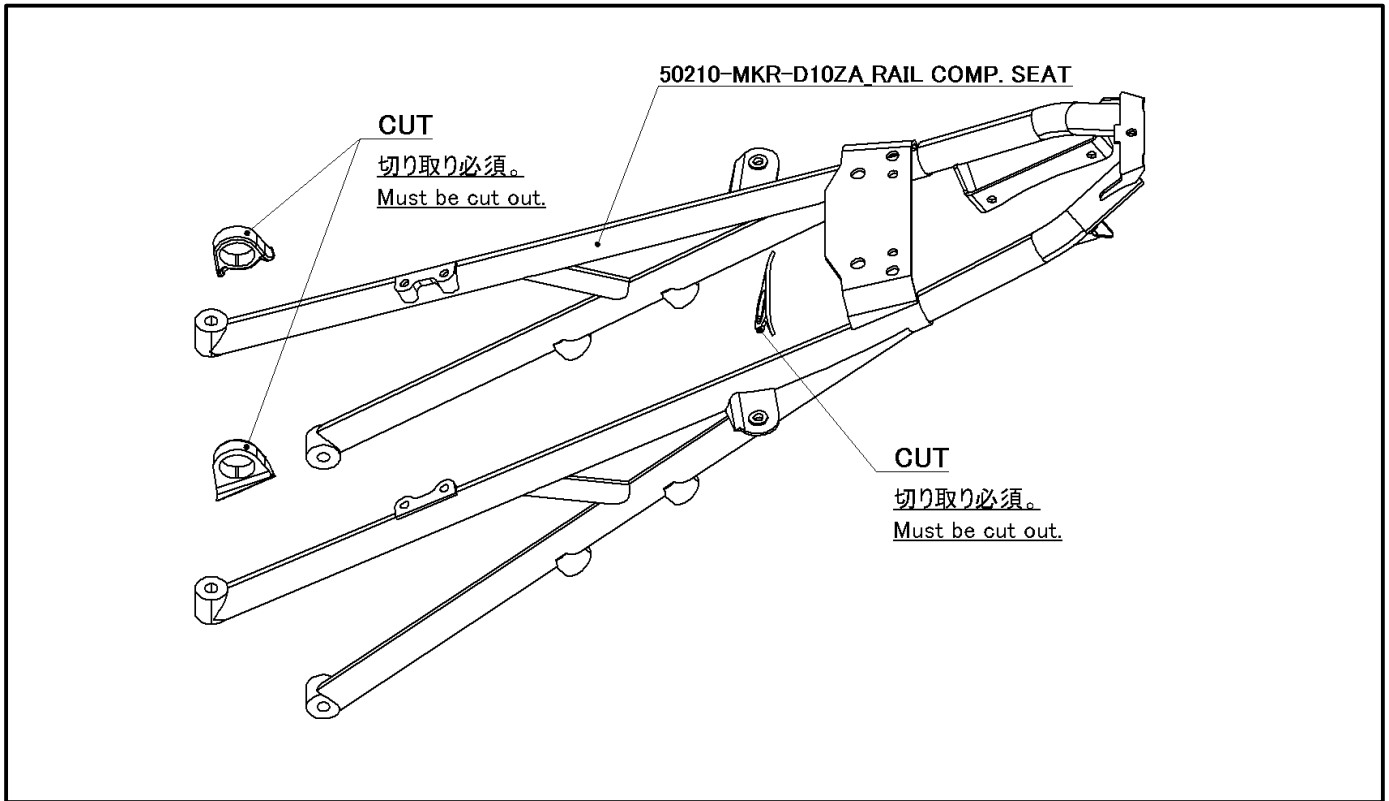
HRC KITハーネスを使用する場合、配線加工が必要になります。

(6ページ目以降の【Modify the harness】参照)

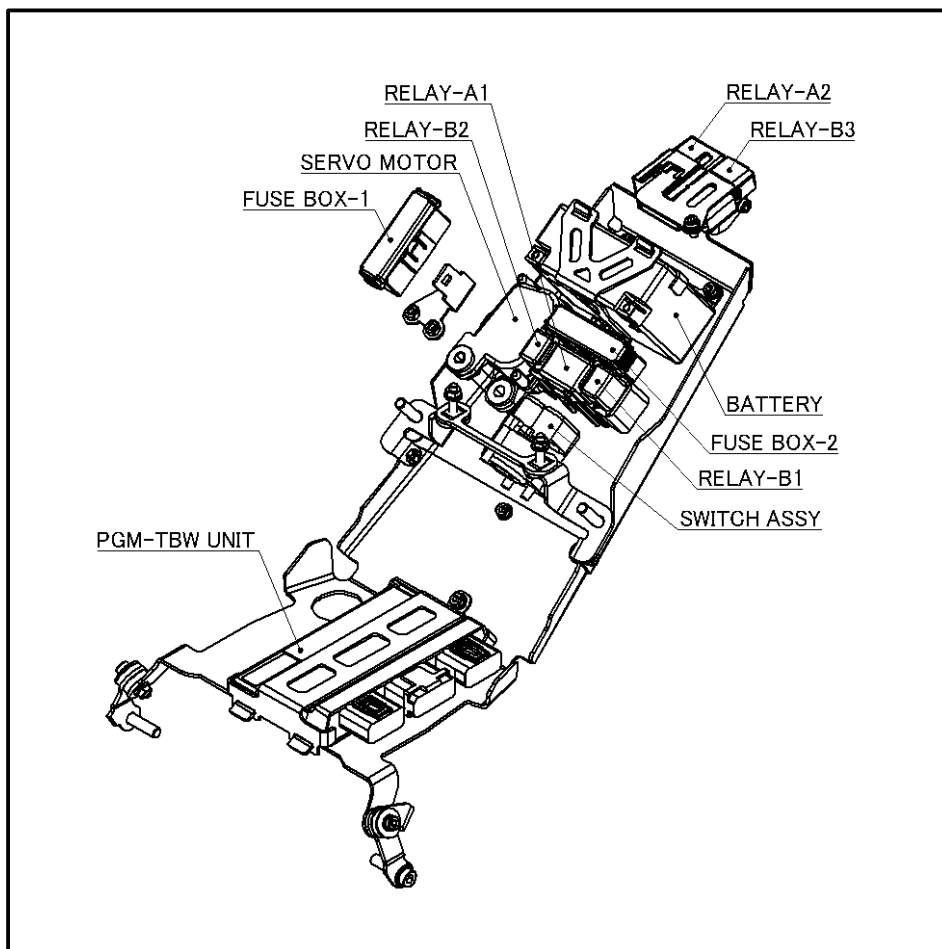
When using HRC KIT harness, modifications are required.

(Refer [Modify the harness] after page 6.)

【シートレール加工】 【Modify the subframe】



【電装品配置図】 【Electrical Components Layout】



【メンテナンスについて】

振動によって、ボルト、ナット類が緩むことがありますので、必要に応じて増し締めをして下さい。
特に転倒時には緩みがないか、点検をして下さい。
本説明書は未永く保管し、メンテナンス等の機会には、活用するようにして下さい。
製品上の問題点、取付け時の不明点等がありましたら、お気軽にお問い合わせ下さい。

【Maintenance】

Vibration may loosen bolts and nuts, so retighten them as necessary.
Check for looseness, especially after the crash.
Keep this manual for a long time and utilize it for maintenance.
Please feel free to contact us if you have any problems with the product or if you have any questions about installation.

(株)モリワキエンジニアリング(営業部)
〒513-0825 三重県鈴鹿市住吉町6656-5

Moriwaki Engineering Co., Ltd.

6656-5 Sumiyoshi, Suzuka, Mie, Japan, ZIP:513-0825
TEL : +81(0)59-370-0090
FAX : +81(0)59-370-0152
e-Mail : info@moriwaki.co.jp
WEB : <http://www.moriwaki.co.jp>

90113-MCJ-000_SCREW, PAN, 5X15
(HONDA GENUINE PARTS)

77219-MBZ-K00_COLLAR, TAILLIGHT MOUNT
(HONDA GENUINE PARTS)

19639-GBC-000_RUBBER, MOUNTING
(HONDA GENUINE PARTS)

STAUBLI (SAF45)

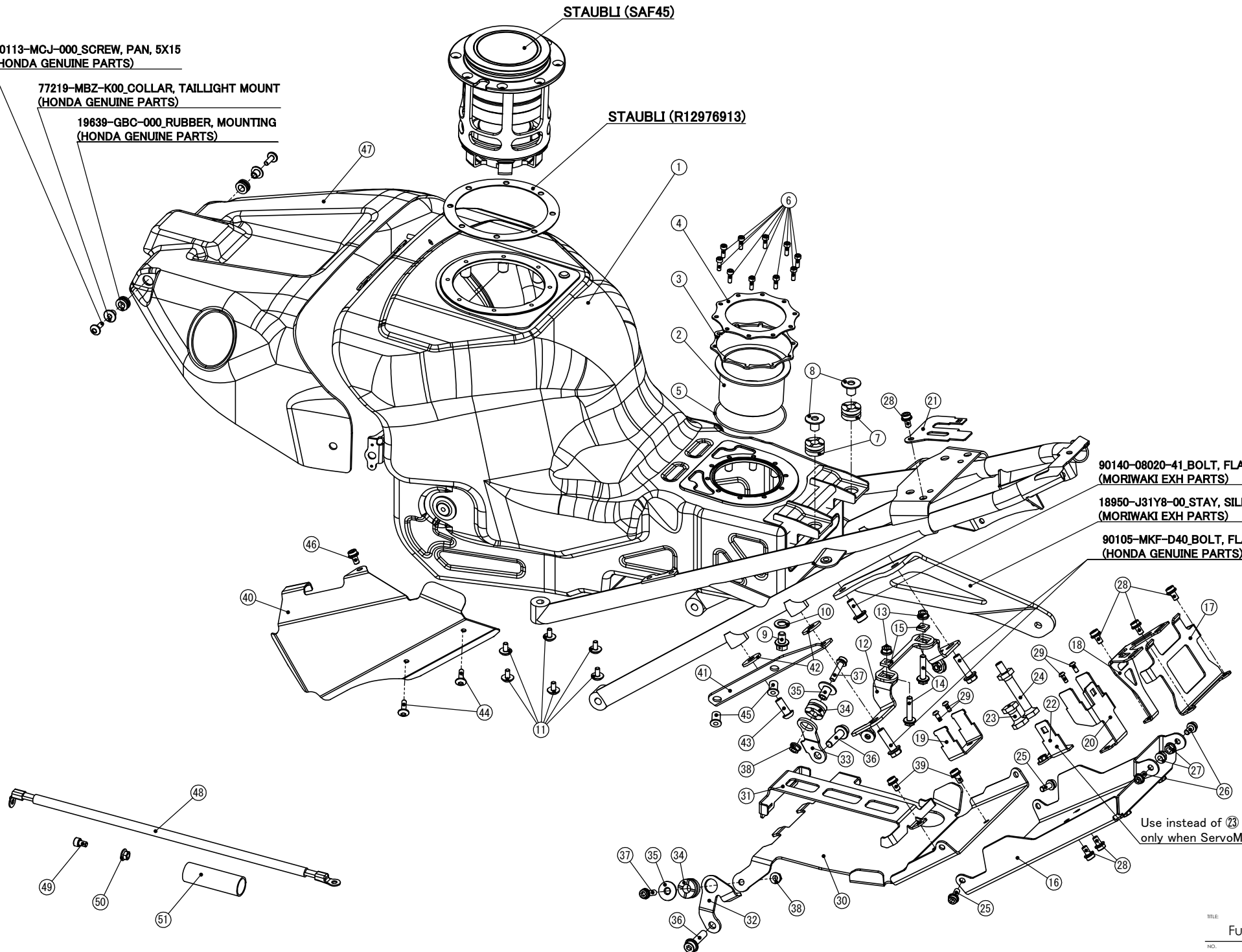
STAUBLI (R12976913)

90140-08020-41_BOLT, FLANGE CAP 8X20
(MORIWAKI EXH PARTS)

18950-J31Y8-00_STAY, SILENCER
(MORIWAKI EXH PARTS)

90105-MKF-D40_BOLT, FLANGE 8X25
(HONDA GENUINE PARTS)

Use instead of 23 and 24
only when ServoMotor is not used.



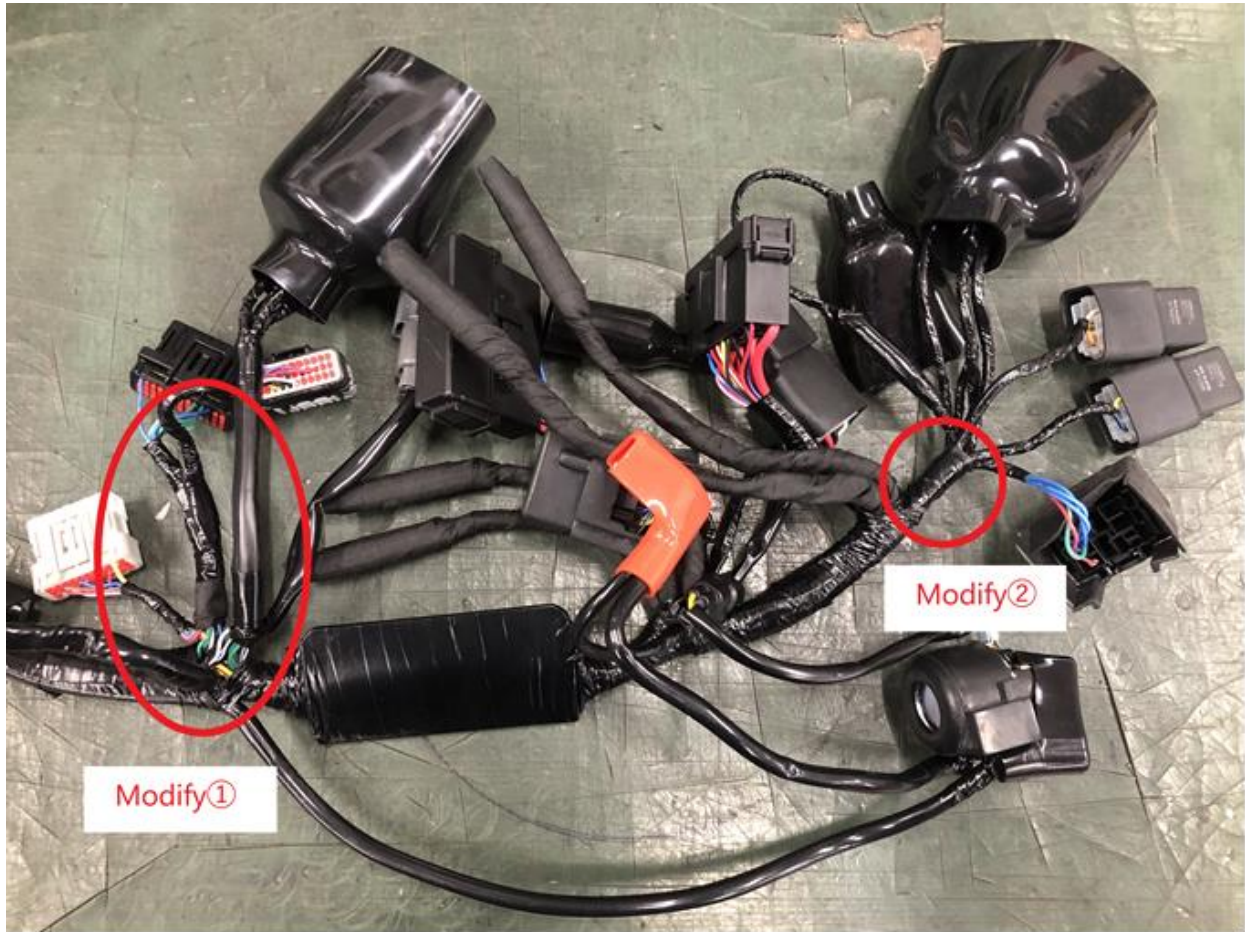
TITLE: Fuel Tank 24L Set

NO. 01750-101Y8-S0

MORIWAKI ENGINEERING

配線加工用 取扱説明書

Instruction manual for harness modification



- ⚠ 加工部分以外の損傷が無い様に気を付けて作業を行って下さい。
Please be careful not to damage anything other than the modified part.
各部寸法は参考寸法です。車両/部品に対して調整が必要になる場合があります。
The dimensions of each part are reference dimensions.
Adjustments may be required for the vehicle/part.

加工手順 Modification Procedure

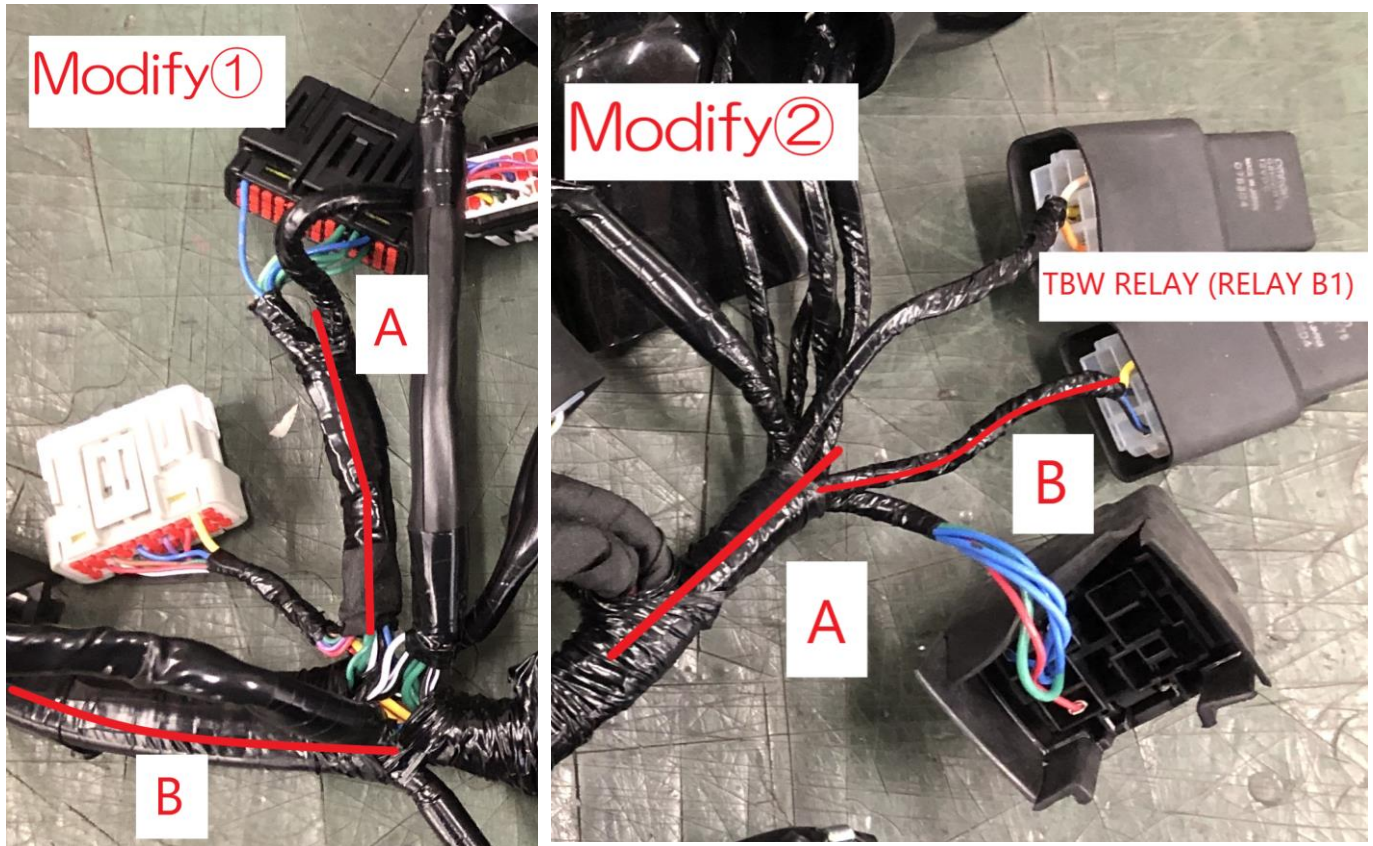


HRC '24CBR1000RR-R

- 下図と下記寸法を参考に、各部分のビニールテープ(最外部)を切り取る

Referring to the figure below and the dimensions below,
cut out the vinyl tape (outermost) of each part

※ Modify①-A/B : 70mm、Modify②-A : 50mm、Modify②-B : 100mm



- 下記配線を TBW RELAY (RELAY B1) 側から PGM-TBW UNIT に向けて 65mm 引き出す

Pull the following wiring from the TBW RELAY (RELAY B1) side
by 65 mm in the direction of the PGM-TBW UNIT.

“PGM-TBW UNIT “一” TBW RELAY (RELAY B1) “

I WPC 39P 025 BLK PinNo. : A-1/Color : Blue

II WPC 33P 025 GRY PinNo. : C-10/Color : Yellow

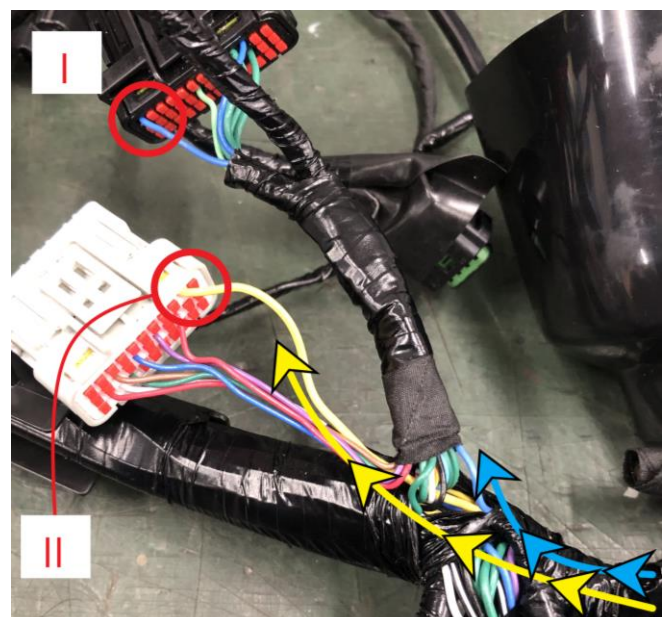
※タンク SET_取扱説明書(3 ページ)

【Electrical Components Layout】参照

Refer to the Tank SET_ Instruction Manual
(page 3) [Electrical Components Layout].

※PGM-TBW UNIT と TBW RELAY (RELAY B1)間の
ビニールテープ(最外部)を切り取った状態で引き出す事を推奨します

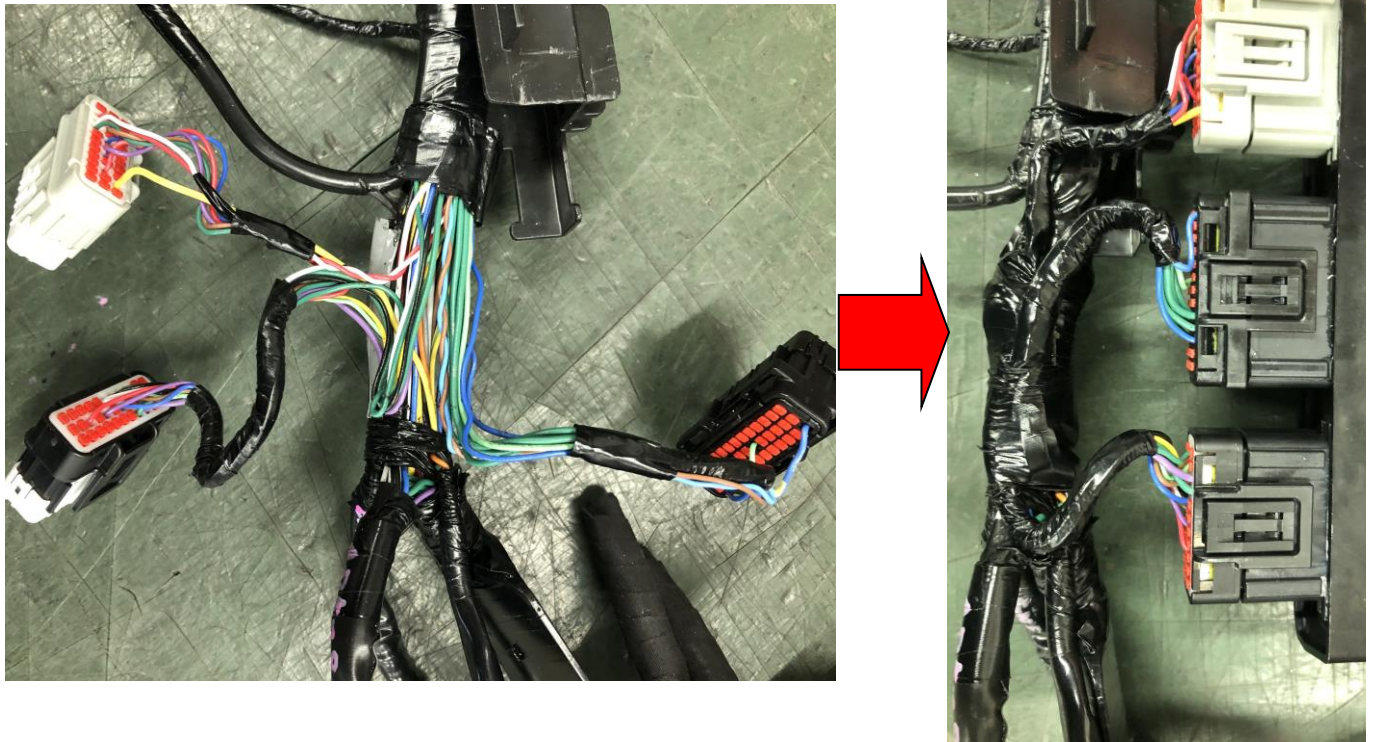
It is recommended to cut out the vinyl tape (outermost)
between the PGM-TBW UNIT and the TBW RELAY (RELAY B1)



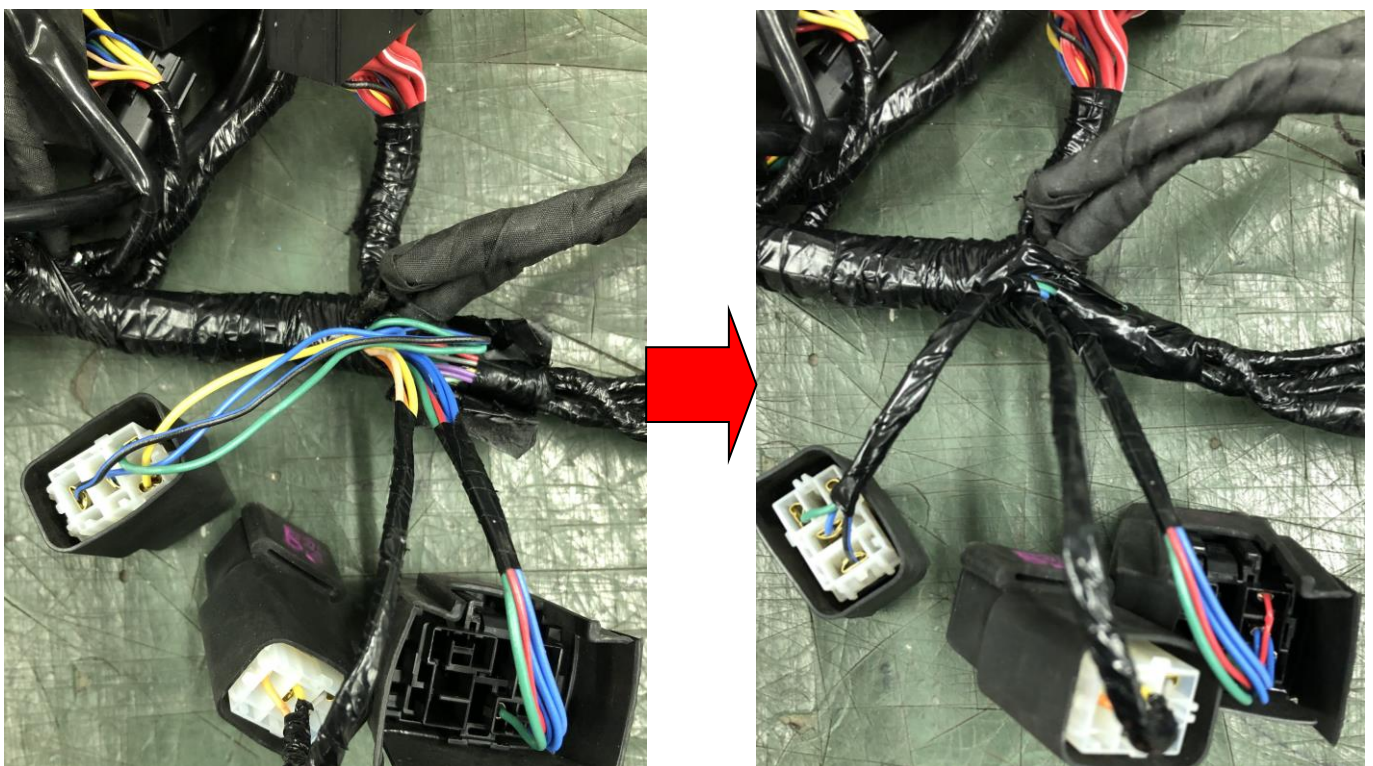
HRC '24CBR1000RR-R

- 下図を参考に配線をビニールテープで保護する
Refer to the figure below to protect the wiring with vinyl tape.

● Modify①



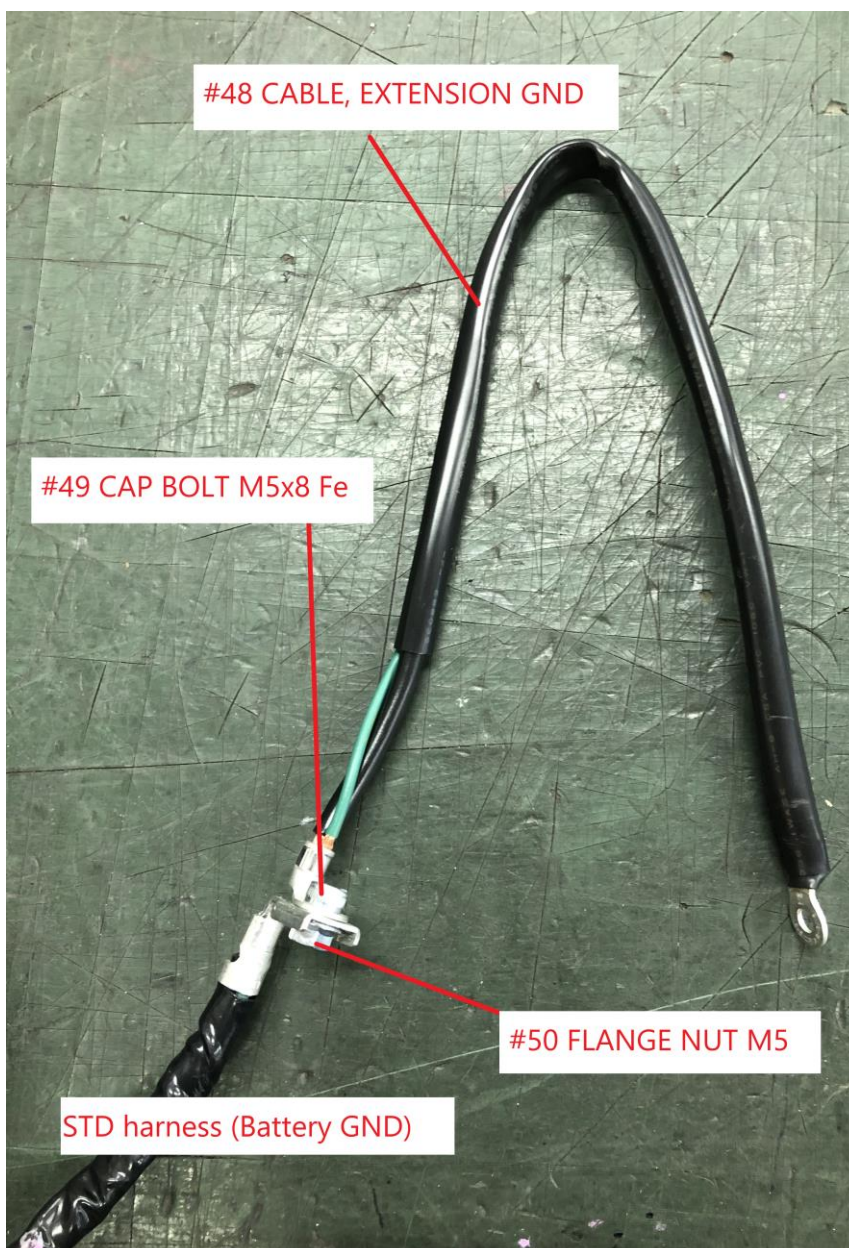
● Modify②



HRC '24CBR1000RR-R

● バッテリー-GND 延長配線 Extension wiring of battery GND

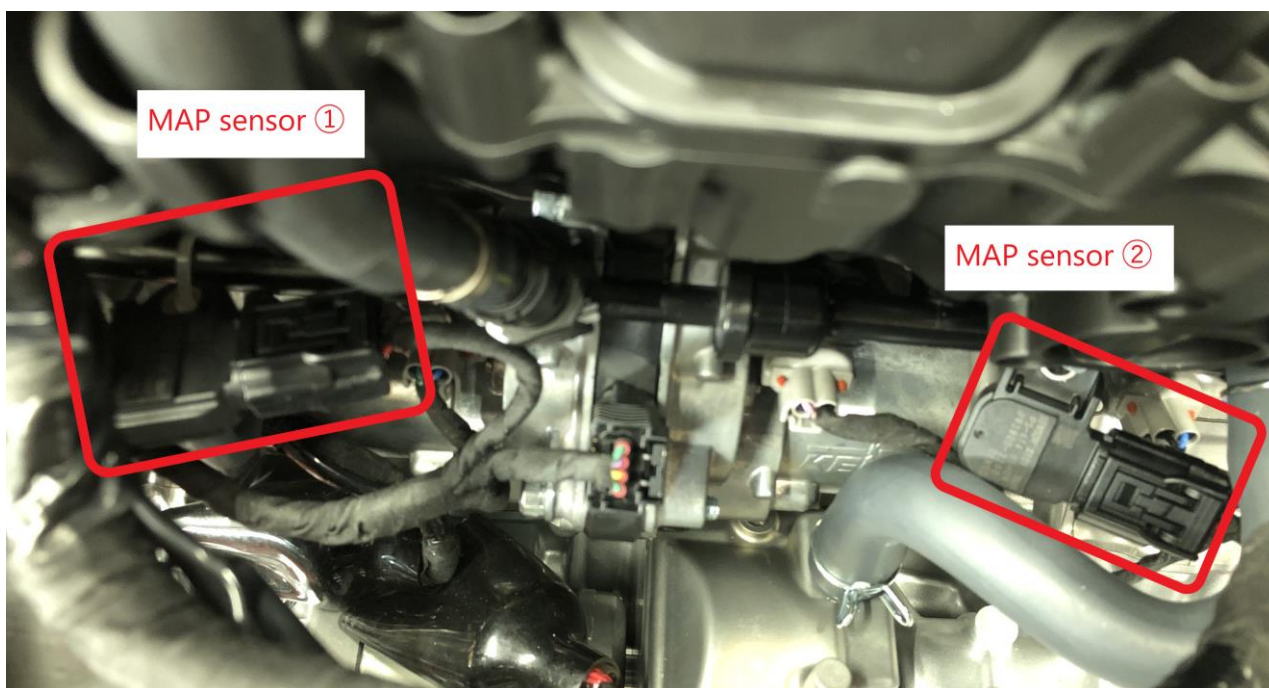
- STD ハーネスと CABLE, EXTENSION GND をボルト/ナットで締結し、収縮チューブで保護する
Fasten the STD harness to the CABLE, EXTENSION GND with bolts/nuts and protect it with shrink tubing.
- ※ 下図参照 See the figure below
- ※ CABLE, EXTENSION GND の 90 度曲げ端子を STD ハーネス端子と同じ向きに締結する
Fasten the 90-degree bend terminal of CABLE, EXTENSION GND in the same direction as the STD harness terminal.



● マップセンサー①/②移設、ハーネス固定

Map sensor ①/② relocated, harness fixed

- 下図を参考に STD の取付位置(ロアエアボックスにネジ固定)から MAP センサー①/②を移設する
Referring to the figure below, relocate the MAP sensor ①/② from the STD mounting position (screw fixed to the lower airbox).
- ※センサー本体のネジ固定用穴を使用し、結束バンド等でロアインジェクターフューエルパイプに固定する
Use the screw fixing hole on the sensor body and fix it to the lower injector fuel pipe with a zip ties.
- ※センサー下部に接続するチューブに折れや潰れが無い事を確認する事
Make sure that the tube connected to the bottom of the sensor is not broken or crushed.
- メインハーネスをロアインジェクターフューエルパイプに沿う様に結束バンド等で固定する。
Fix the main harness with a zip ties so that it is along the lower injector fuel pipe.



HRC '24CBR1000RR-R

● FUSE BOX-1/2 の加工、設置 Modification and installation of FUSE BOX-1/2

- 赤枠内の突起部分を切除する事を推奨 (右図参照)
It is recommended to remove the protruding part in the red frame (see the figure on the right).

※整備性向上/スペース確保目的

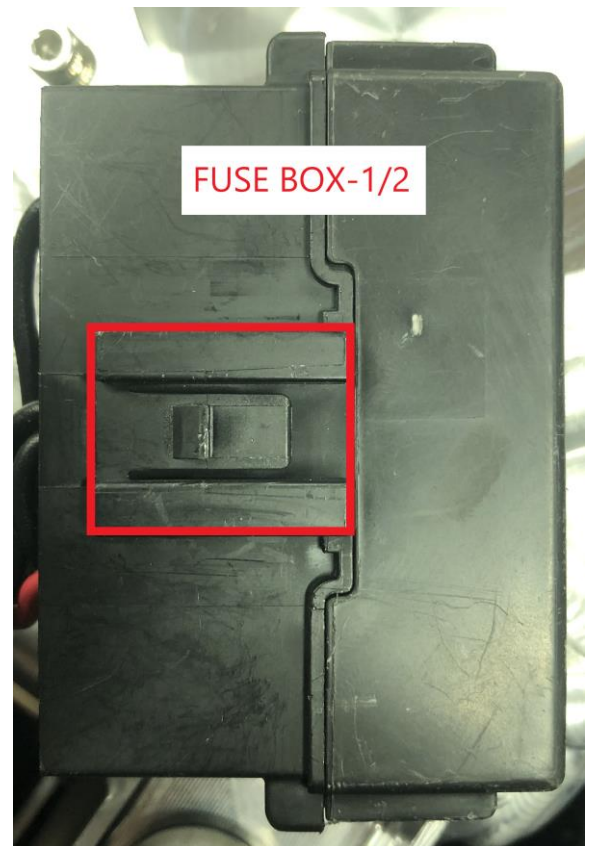
Purpose of improving maintainability and securing space

- サーボモーターを使用する場合の FUSE BOX-1 の設置
Installation of the FUSE BOX-1 when using a servo motor

サーボモーター上面に加工した側を下にして、

“3M Dual Lock” 等で固定する

Fix the modified side down on the upper surface of the servo motor with “3M Dual Lock” or the like.



● サーボモーターの設置 Servo motor installation

- サーボモーター裏面の赤枠内に厚み 5mm のラバーを取り付ける事を推奨 (右図参照)
It is recommended to install a rubber with a thickness of 5 mm in the red frame on the back of the servo motor (see the figure on the right).

※TRAY, BATTERY 底面とワイヤードラムの接触防止目的

To prevent contact between the bottom of the TRAY, BATTERY and the wire drum

